

## Mobile Boat Hoist

---



## MODEL: WBH

Mobile Boat Hauler | Ship Repair



- Boat/Vessel Loading & Unloading
- Boat/Vessel transfer
- Repair or Storage
- Boat/Vessel Launching
  
- Operation: cabin & wireless
- Full safety limiter system
- Protective-belts system



**Mobile Boat Hoist** is used to transfer ship as indispensable lifting equipment by lifting vessel, boats and ship up, then transfer to quay or workshop for repair or storage. They requires a high safety performance and easy operation to adapt local dock design.

### **Advantage:**

This model is electric drive with diesel generator with high performance and easier control. It is the best succedaneum for previous hydraulic mobile hauler in the market. And that leads to 30% cost reduce compared with hydraulic model. Now is more and more and more popular for shipyard marketing to change the previous choice.

## Standard Design

- Hoisting limiter for up & down.
- Overload load limiting system.
- Traveling radar alarm & limit system.
- 90° turning design.
- Straight/transverse/sideway traveling.
- Factory acceptance test.
- Factory training operators or at site.
- POT project online services.
- Advanced warranty services 18 months.
- Fast actions equipment services.

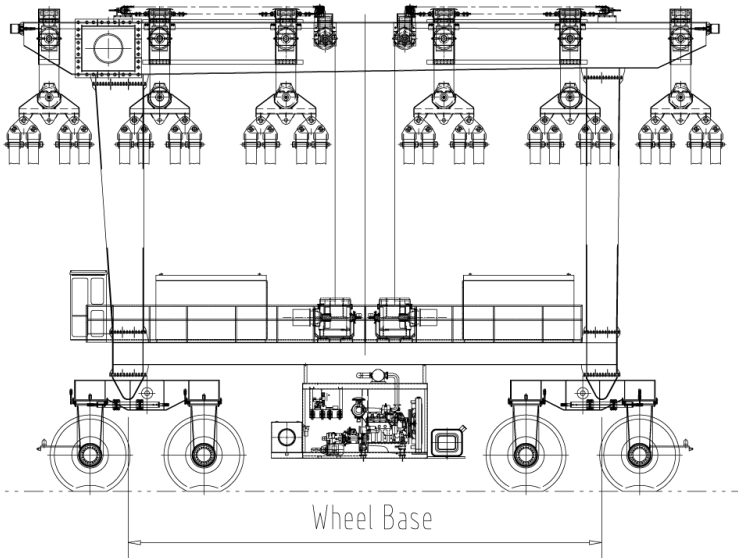
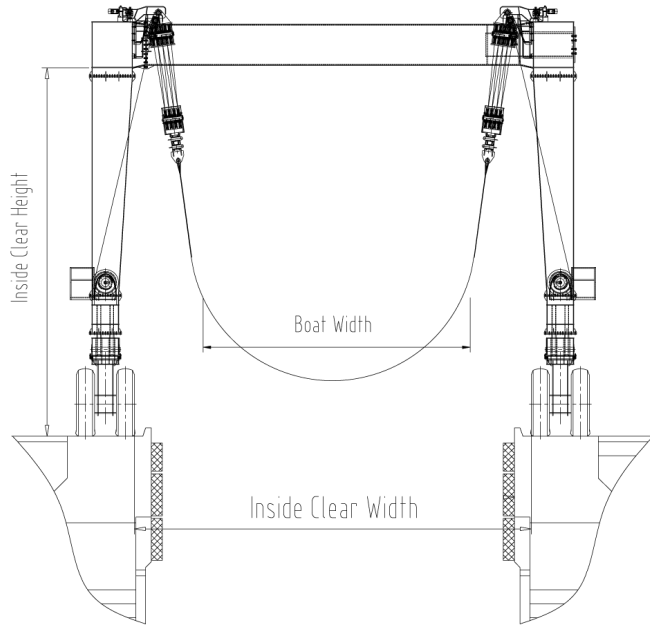
## MODEL:

WBH30/ WBH64/ WBH100  
WBH150/ WBH200

Capacity: 30 tons~200tons  
Customized design: supplied

## Standard design

Spares for two years.  
Support Engineering Project Supervisor.  
Free site inspection service.



MODEL	WBH 30	WBH 64	WBH 100	WBH 150	WBH 200
Lifting capacity (ton)	30	64	100	150	200
Inside Clear width (mm)	4,800	6,850	8,300	8,776	9,120
Clear height (mm)	5,600	7,150	8,850	9,950	10,500
Wheel distance (mm)	4,400	7,000	9,000	10,500	12,000
Hoisting speed (m/min)	0~4.0		0~4.0		0~3.0
Traveling speed (m/min)	0~30		0~30		0~30

MODEL	Recommended Max Boat Dimension			
	weight (tons)	length (mm)	width (mm)	height (mm)
WBH 30	30	15,000	5,400	4,600
WBH 64	64	21,000	6,100	5,900
WBH 100	100	28,000	7,400	7,600
WBH 150	150	36,000	7,900	8,400
WBH 200	200	40,000	8,400	9,000

# Mobile Boat Hoist

Ship Repair & Boat Transfer

## MODEL:

WBH 250/ WBH 300

WBH 500/ WBH 600

Capacity: 250 tons~600tons

Customized design: supplied

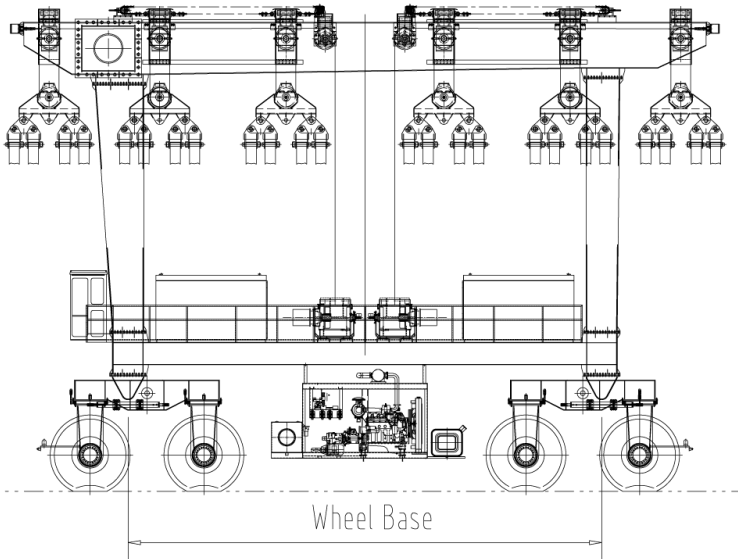
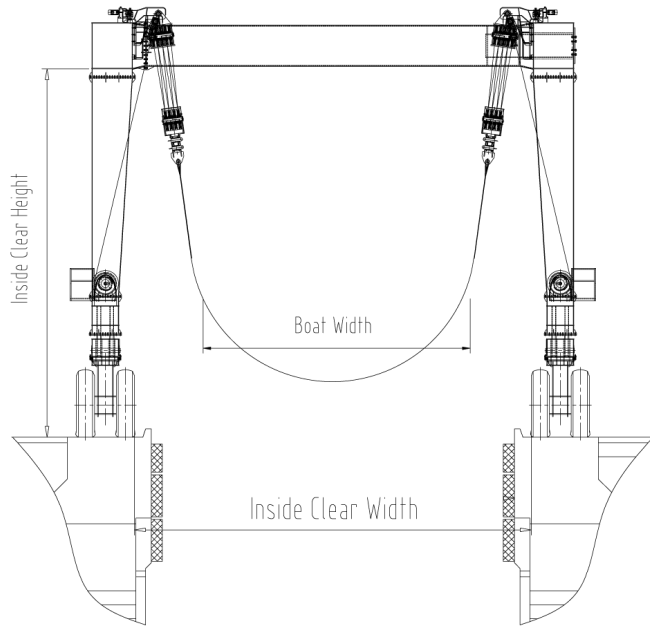
## Standard Options

Monitoring system

Design change in height & width

Adjustable wheel pressure

Installation in factory & shipping whole crane



MODEL	WBH 250	WBH 300	WBH 400	WBH 500	WBH 600
Lifting capacity (ton)	250	300	400	500	600
Inside Clear width (mm)	9,300	10,300	13,000	15,500	16,400
Clear height (mm)	11,500	12,500	14,000	15,000	15,500
Wheel distance (mm)	13,000	14,000	15,000	16,000	17,500
Hoisting speed (m/min)	0~3.0		0~3.0		0~3.0
Traveling speed (m/min)	0~30		0~30		0~20

MODEL	Recommended Max Boat Dimension			
	weight (tons)	length (mm)	width (mm)	height (mm)
WBH 250	250	48,000	8,500	10,000
WBH 300	300	52,000	9,600	11,000
WBH 350	350	56,000	10,500	11,500
WBH 400	400	60,000	11,500	12,500
WBH 500	500	65,000	13,500	13,500
WBH 600	600	72,000	15,500	14,000

### Project Online Tracking system

Aims to supply the user to check real-time information for their purchased equipment and project, from the contract to finishing of installation, commissioning and even to the end of product life, the user can check its report, documentation and working record at any time.

- ◆ Project Tracking
- ◆ Documentation Download
- ◆ Online Sharing Progress

⇒ [WWW.MYDEARPOT.COM](http://WWW.MYDEARPOT.COM)

### For Free Site Inspection

Email: [jess@worldmandept.com](mailto:jess@worldmandept.com)

Mobile: +86 151 37380574

Address: Crane Industrial Park, Changyuan County, Henan Province, China

### Core Product

- ◆ ND wire rope hoist
- ◆ NL electric chain hoist
- ◆ HD single girder overhead crane
- ◆ NLH double girder overhead crane
- ◆ NMG gantry crane
- ◆ WBH mobile boat hoist
- ◆ Mobile gantry crane
- ◆ Portal jib crane for shipyard
- ◆ RMG & RTG for container
- ◆ Mobile harbor crane

### NUCLEON(XINXIANG) CRANE CO., LTD

Tel: +86 373 5864466 Fax: +86 373 8882737

Email: [inquire@worldmandept.com](mailto:inquire@worldmandept.com) Web: [www.worldmandept.com](http://www.worldmandept.com)

